



GEA Farm Technologies

Pneumatic pulsator CP

Pneumatic pulsator CONSTANT

Instruction Manual / Installation Instructions / Parts List
7041-9001-052
09-1998

GEA Farm Technologies - The right choice.



Fig. 1

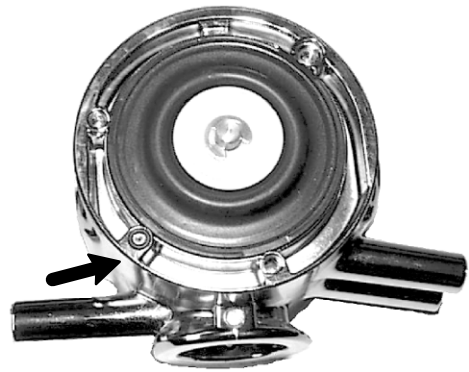


Fig. 2



Fig. 3

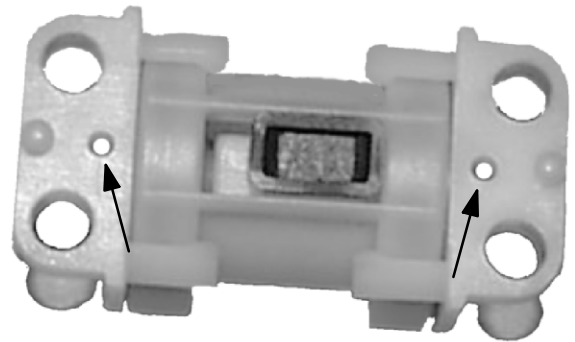


Fig. 4

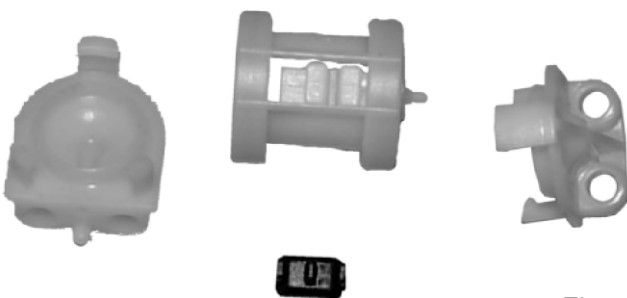


Fig. 5



Fig. 6



Fig. 7

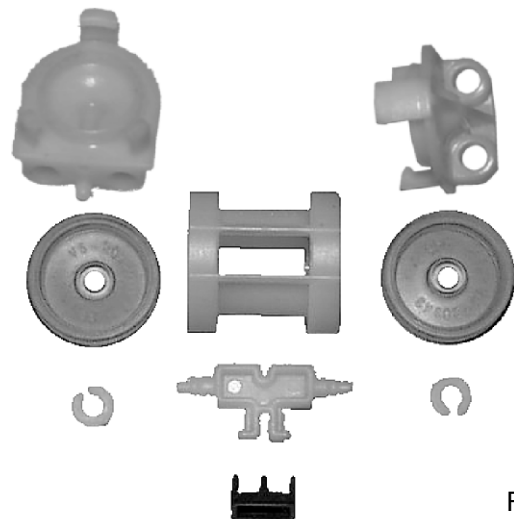


Fig. 8

E Introduction

The pulsator is pneumatically controlled. It can be used in milking bucket, pipeline and milking parlour installations.

Its main features are its simplicity, robust construction and low maintenance.

The pulsation rate is not adjustable and remains substantially constant.

The pulsator must not be lubricated or greased!

Maintenance

Regularly! Change the filter disc when dirty.

Changing the filter disc

- Undo the two screws and remove the pulsator cover.
- Take out the filter disc.
- Kink the new filter disc and insert it.
- Refit the pulsator cover in reverse order.

Pulsator is too slow, about 5 strokes/min.

- Undo the screws.
- Remove the pulsator side cover (fig. 1).
- Pierce the nozzle disc with a 0.5 mm dia. nozzle needle (fig. 2).
- Refit the pulsator side cover in reverse order.

If the pulsator must be disassembled

- Proceed in the order shown in fig. 1 – 8.
- Reassemble in the reverse order.

Pulsation rate/degree of limping

- Test with the PULSOTEST; if necessary repeat until the required values are attained.

If there is milk in the pulsator


Disassemble the pulsator. Clean the individual parts with clear water only.

- Do not allow the pulsator to draw in water.
- Do not use cleaning additives.

When the pulsators are provided with filtered air (in the milking parlour)

- Use the pulsator cover with hose connectors.

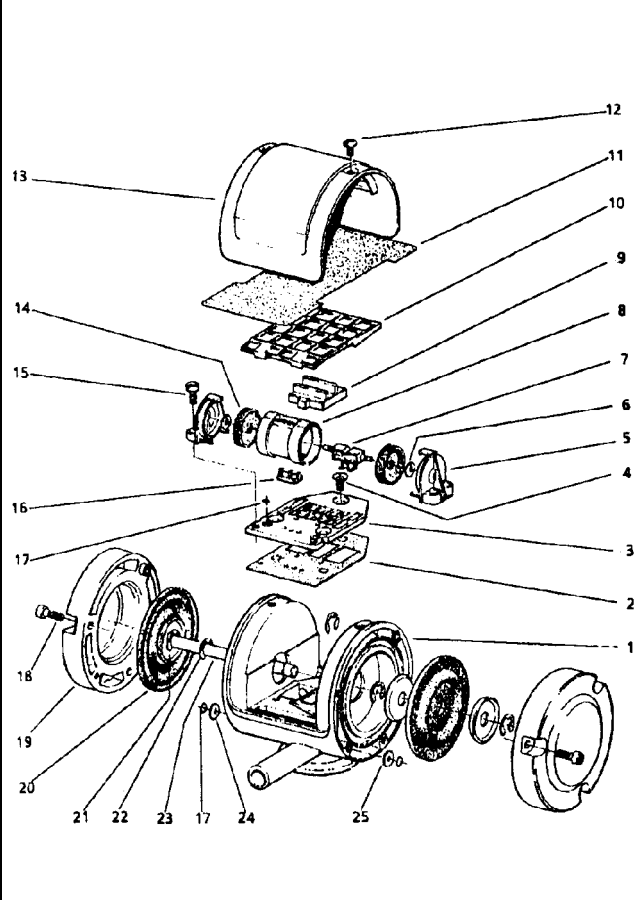
Manufacturer's declaration

Name of supplier:	GEA WestfaliaSurge Deutschland GmbH Siemensstraße 25-27 D-59199 Bönen (Germany)
Product name:	Pulsator
Type:	Constant Pulsator
The named product is in conformity with the requirements of the following European directives: 89/392/EWG (amended by 91/368/EWG, 93/44/EWG, 93/68/EWG), 73/23/EWG (amended by 93/68/EWG).	
Conformity with the requirements of these directives is testified by complete adherence to the following standards: Harmonised European Standards: EN 292-1, EN 292-2 National Standards:	
Attention! We expressly point out that commissioning must not be carried out until it has been verified that the machinery/plant into which the above-mentioned product is to be incorporated conforms to the provisions of the respective CE directives.	
Oelde, 19.12.1998	 Dipl.-Ing. Michael Ebeling (Technical Manager)
This declaration certifies conformity with the above-mentioned directives, but gives no assurance of properties within the meaning of the law concerning product liability.	

Spare parts

Pneumatischer Pulsator CP (PV 60/40, PZ 60)

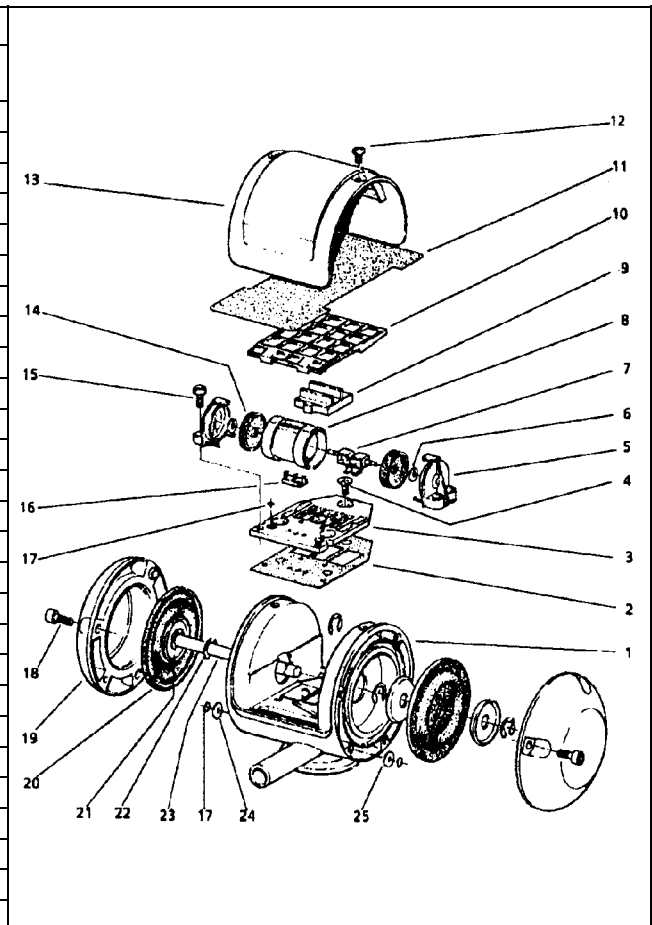
7041-2700-500

	Pos.	Material-Nr.	Benennung	
		7041-2700-500	Pulsator vollst.	PV 60/40, PZ 60, 45kPa
	1	7041-2706-060	Pulsatorgehäuse	
	2	7041-2479-000	Dichtung	61x40x0,5
	3	7041-2719-090	Schieberspiegel	
	4	0019-2421-300	Sechskantschraube	DIN 965 M4x8
	5	7041-2457-020	Deckel	
	6	7041-2745-020	Klemmscheibe	
	7	7041-2478-000	Mitnehmer	
	8	7041-2906-000	Schalter vollst.	Schaltergehäuse
	9	7041-2711-020	Steuerschieber	60/40
	10	7041-2187-010	Filterhalter	
	11	7041-2799-050	Filterscheibe	
	12	019-3218-300	Senkschraube	DIN 964 M4x8
	13	7041-2718-080	Pulsatorschutzdeckel	
	-	7041-2718-090	Pulsatorschutzdeckel	mit Schlauchstutzen
	14	0004-2219-870	Membrane	
	15	0019-2217-300	Zylinderschraube	DIN 84 M4x8
	16	7041-2711-050	Steuerschieber	
	17	0007-2510-750	Dichtring	3x1
	18	0019-6077-300	Zylinderschraube	DIN 912 M4x10
	19	7041-2718-150	Pulsatordeckel	
	20	0004-5496-760	Membrane	5/54
	21	7041-2745-010	Klemmscheibe	
	22	0026-0810-300	Sicherungsscheibe	5
	23	7041-2717-010	Kolbenstange	
	24	7041-2696-000	Düsenscheibe	Ø 52
	25	7041-2696-000	Düsenscheibe	Ø 52
	-	7720-1766-270	Düsennadelhalter	

Pneumatischer Pulsator Constant (PV 60/40, PZ 60)
Pneumatischer Pulsator Constant (PV 67/33, PZ 65)

7041-2700-350
7041-2700-360

Pos.	Material-Nr.	Benennung	
	7041-2700-550	Pulsator vollst.	PV 60/40, PZ 60, 45kPa
1	7041-2706-060	Pulsatorgehäuse	
2	7041-2479-000	Dichtung	61x40x0,5
3	7041-2719-090	Schieberspiegel	
4	0019-2421-300	Sechskantschraube	DIN 965 M4x8
5	7041-2457-020	Deckel	
6	7041-2745-020	Klemmscheibe	
7	7041-2478-000	Mitnehmer	
8	7041-2906-000	Schalter vollst.	Schaltergehäuse
9	7041-2711-020	Steuerschieber	60/40
10	7041-2187-010	Filterhalter	
11	7041-2799-050	Filterscheibe	
12	019-3218-300	Senkschraube	DIN 964 M4x8
13	7041-2718-050	Pulsatorschutzdeckel	
-	7041-2718-060	Pulsatorschutzdeckel	mit Schlauchstutzen
14	0004-2219-870	Membrane	
15	0019-2217-300	Zylinderschraube	DIN 84 M4x8
16	7041-2711-050	Steuerschieber	
17	0007-2510-750	Dichtring	3x1
18	0019-6077-300	Zylinderschraube	DIN 912 M4x10
19	7041-2718-160	Pulsatordeckel	
20	0004-5496-760	Membrane	5/54
21	7041-2745-010	Klemmscheibe	
22	0026-0810-300	Sicherungsscheibe	5
23	7041-2717-010	Kolbenstange	
24	7041-2696-000	Düsenscheibe	Ø 52
25	7041-2696-000	Düsenscheibe	Ø 52
-	7720-2688-000	Düsennadelhalter	



Abweichungen gegenüber 7041-2700-550

Pos.	Material-Nr.	Benennung	
-	7041-2700-600	Pulsator vollst.	PV 60/40, PZ 60, 50 kPa
25	7041-2696-070	Düsenscheibe	Ø 0,50 (blank)
-	7041-2700-560	Pulsator vollst.	PV 67/33, PZ 65, 45 kPa
9	7041-2711-040	Steuerschieber	67/33
24	7041-2696-040	Düsenscheibe	Ø 0,55 (goldfarben)
25	7041-2696-070	Düsenscheibe	Ø 0,50 (blank)
-	7041-2700-590	Pulsator vollst.	PV 70/30, PZ 60, 50 kPa
9	7041-2711-070	Steuerschieber	70/30
25	7041-2696-070	Düsenscheibe	Ø 0,50 (blank)
-	7041-2700-570	Pulsator vollst.	PV 60/40, PZ 90, 38 kPa (für Ziegen)
25	7041-2696-060	Düsenscheibe	Ø 0,65
-	7041-2700-580	Pulsator vollst.	PV 50/50, PZ 120, 36 kPa (für Schafe und Pferde)
3	7041-2719-100	Schieberspiegel	
25	7041-2696-030	Düsenscheibe	Ø 0,80

GEA Farm Technologies

The right choice.



GEA Farm Technologies

GEA WestfaliaSurge Deutschland GmbH

Siemensstraße 25-27, D-59199 Bönen (Germany)
Tel. +49 (0) 2383 / 93-70, Fax. +49 (0) 2383 / 93-80
www.gea-farmtechnologies.com